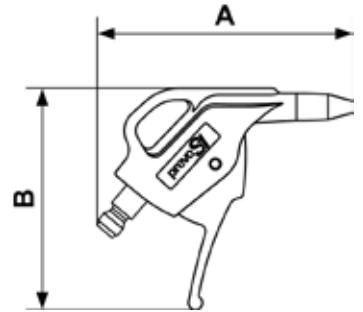


PREVO S1 BLOW GUNS - AUTOMOTIVE PROFILE - 1/4

prevoS1 blow gun with composite nozzle

Profile : TRUFLATE



Blowing force	Dynamic pressure	Max. operating pressure	ID passage
10 OZF	36.3 psi	174 psi	1/4"

Part number	Flow rate at 87 psi (CFM)	Sound level (dBA)	Length (ft)	ID passage (inch)	Net weight (Kg)	Dim. A (inch)	Dim. B (inch)
UBG 06PRE	8	85	0.154	1/4"	0,078	4.41	3.82